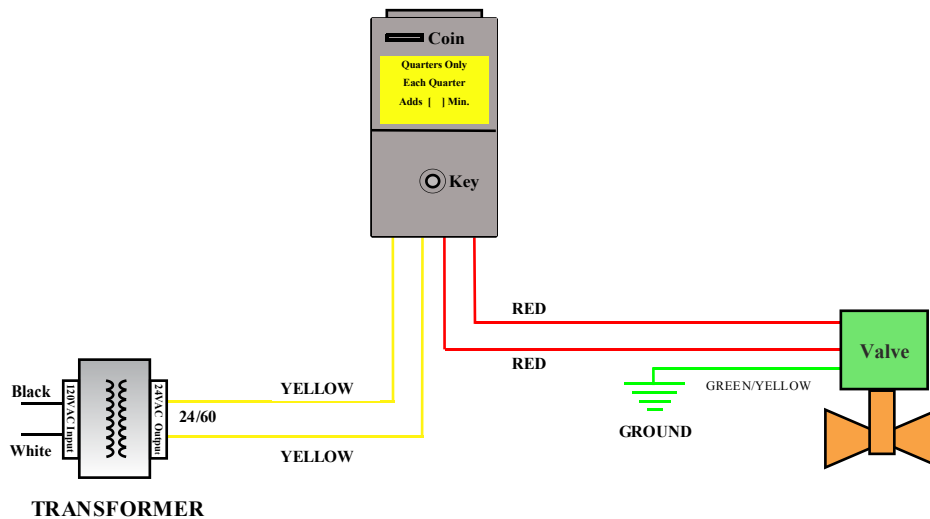


PCL COIN METER SHOWER KIT

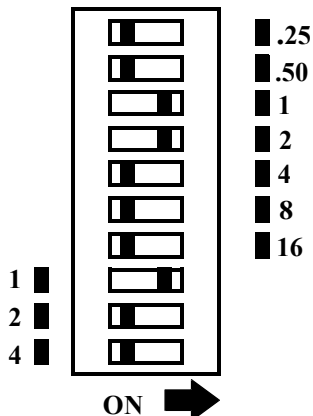
Installation Instructions

Observe local electrical and plumbing codes.

- Bolt coin meter to suitable surface in a dry location.
- Install solenoid valve inline to the shower head.
- Wire a constant source of power (120/60 HZ) to primary of transformer (leave power off until all wiring is completed).
- Connect secondary of transformer (24/60 HZ) to the two yellow leads on the coin meter.
- Connect the two red leads of the valve to the two red leads of the coin meter (green/yellow lead on valve is a ground).
- Make sure all the wires are behind the coin chute.
- Set timer to desired time (timer has been factory set at 5 minutes for each coin), see timer adjustment below.
- The front label has a blank box so your time selection can be entered.



ADJUSTMENT SWITCHES



Timer Adjustment:

Ten dip switches on the timer control your timing sequence. Switches 1 to 7 select your timing output in minutes per every initiate switch closure (e.g. 1 minute of timing for every coin dropped in slot). Switches can be combined to total desired timing to a maximum of 32 minutes. The bottom three switches sets the number of coins before vending time starts (number of closures). A minimum of one coin and a maximum of seven coins can be selected by turning on any combination of the swiches. In the example at left, one coin equals 3 minutes of timing.



HY-LINE SALES LTD

#2A-27355 Gloucester Way, Langley BC, V4W 3Z8
PHONE: 604-856-5648 (TOLL FREE BC: 800-266-3114)
FAX: 604-856-8684 (TOLL FREE BC: 800-266-3112)
www.hylineales.com
customer-service@hylineales.com